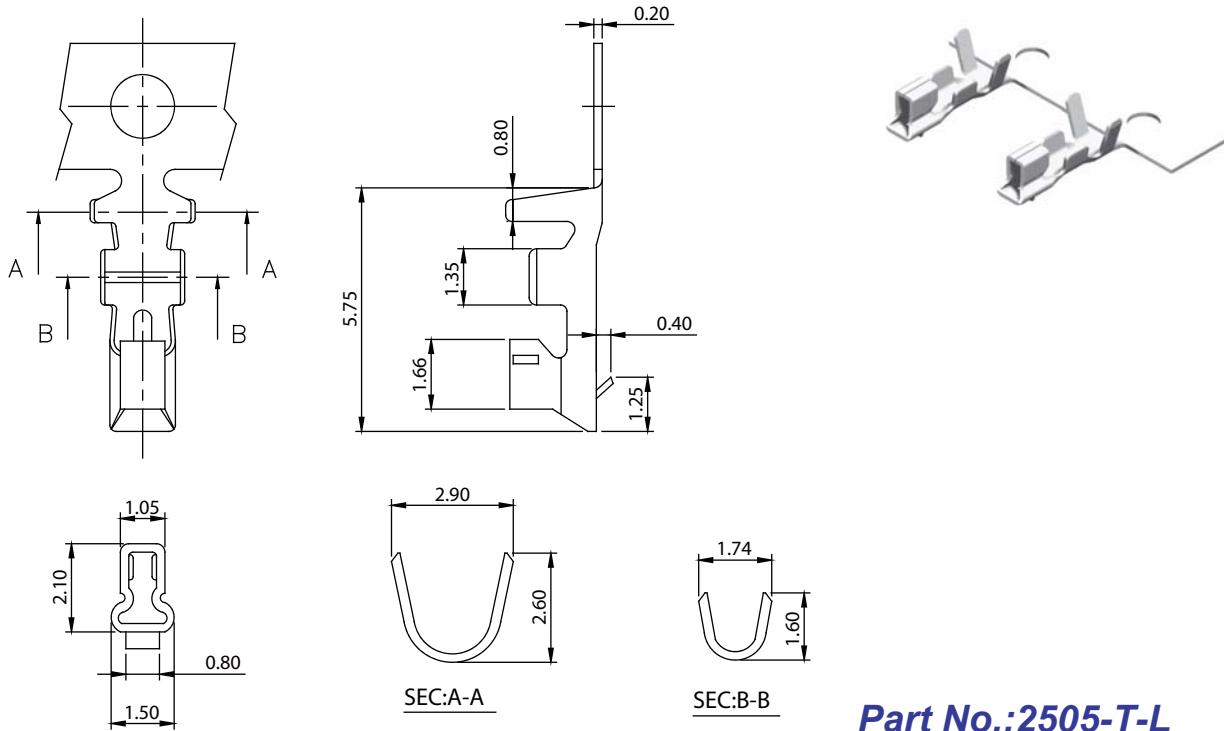




2.5mm Terminal / Housing



Part No.:2505-T-L

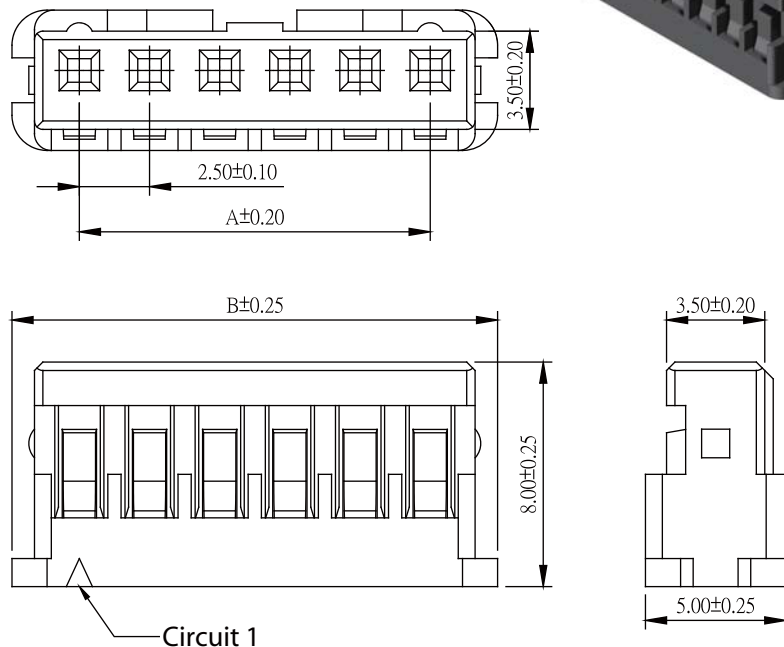
Wire Range	Insulation O.D.	Material	Finish
AWG#22-#30	1.90mm(max)	Phosphor Bronze	Tin Plated

Specifications

Current Rating: 3A AC,DC
 Voltage Rating: 500V AC,DC
 Temperature Range: -25°C to +85°C
 Contact Resistance: 20mΩ Max
 Insulation Resistance: 500M Ω Min
 Withstanding Voltage: 1000V AC/minute
 Material: P.B.T,UL94V-0



Part No.	Dimensions	
	A	B
2508H-02B-L	2.50	7.30
2508H-03B-L	5.00	9.80
2508H-04B-L	7.50	12.30
2508H-05B-L	10.00	14.80
2508H-06B-L	12.50	17.30
2508H-07B-L	15.00	19.80
2508H-08B-L	17.50	22.30
2508H-09B-L	20.00	24.80
2508H-10B-L	22.50	27.30
2508H-11B-L	25.00	29.80
2508H-12B-L	27.50	32.30
2508H-13B-L	30.00	34.80
2508H-14B-L	32.50	37.30
2508H-15B-L	35.00	39.80



Part No.:2508H-XXB-L

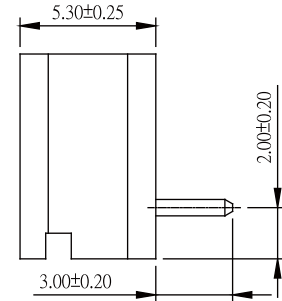
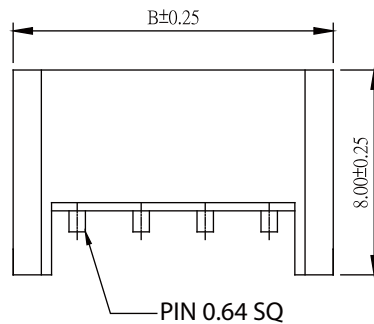
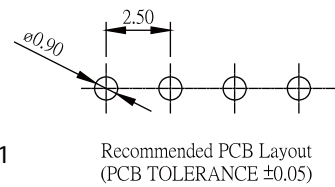
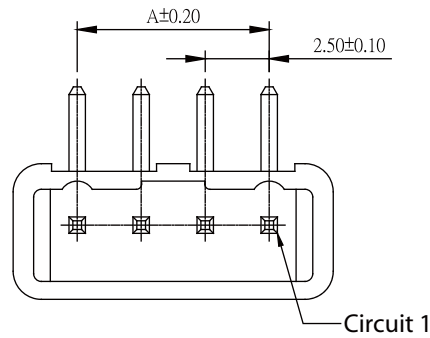


2.5mm Wafer Right Angle / Straight Type

Specifications

Current Rating: 3A AC,DC
 Voltage Rating: 500V AC,DC
 Temperature Range: -25°C to +85°C
 Contact Resistance: 20mΩ Max
 Insulation Resistance: 500M Ω Min
 Withstanding Voltage: 1000V AC/minute
 Terminal: Brass/Tin-Plated
 Material: Nylon 66, UL94V-0

Part No.	Dimensions	
	A	B
2508R-02TB-L	2.50	7.50
2508R-03TB-L	5.00	10.00
2508R-04TB-L	7.50	12.50
2508R-05TB-L	10.00	15.00
2508R-06TB-L	12.50	17.50
2508R-07TB-L	15.00	20.00
2508R-08TB-L	17.50	22.50
2508R-09TB-L	20.00	25.00
2508R-10TB-L	22.50	27.50
2508R-11TB-L	25.00	30.00
2508R-12TB-L	27.50	32.50
2508R-13TB-L	30.00	35.00
2508R-14TB-L	32.50	37.50
2508R-15TB-L	35.00	40.00

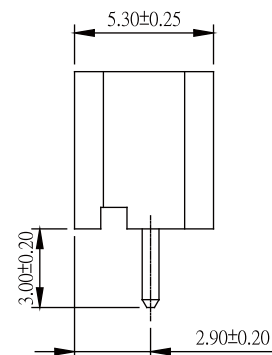
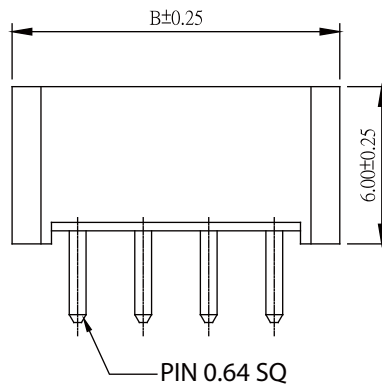
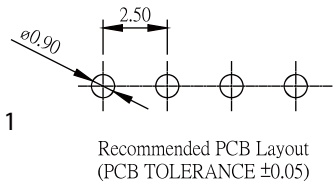
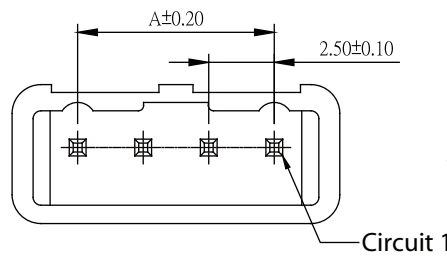


Part No.:2508R-XXTB-L

Specifications

Current Rating: 3A AC,DC
 Voltage Rating: 500V AC,DC
 Temperature Range: -25°C to +85°C
 Contact Resistance: 20mΩ Max
 Insulation Resistance: 500M Ω Min
 Withstanding Voltage: 1000V AC/minute
 Terminal: Brass/Tin-Plated
 Material: Nylon 66, UL94V-0

Part No.	Dimensions	
	A	B
2508S-02TB-L	2.50	7.50
2508S-03TB-L	5.00	10.00
2508S-04TB-L	7.50	12.50
2508S-05TB-L	10.00	15.00
2508S-06TB-L	12.50	17.50
2508S-07TB-L	15.00	20.00
2508S-08TB-L	17.50	22.50
2508S-09TB-L	20.00	25.00
2508S-10TB-L	22.50	27.50
2508S-11TB-L	25.00	30.00
2508S-12TB-L	27.50	32.50
2508S-13TB-L	30.00	35.00
2508S-14TB-L	32.50	37.50
2508S-15TB-L	35.00	40.00



Part No.:2508S-XXTB-L