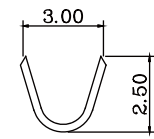
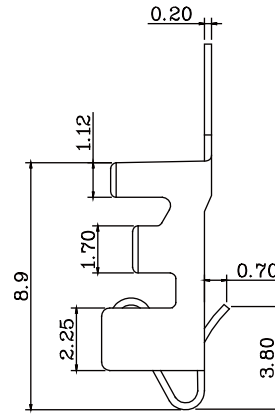
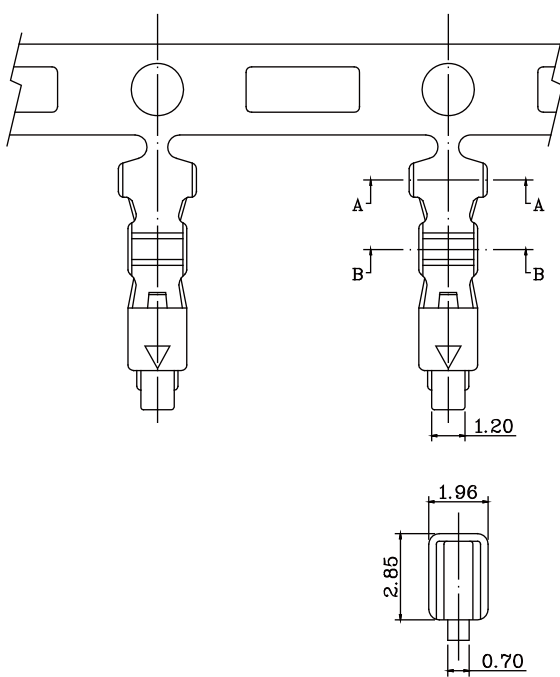
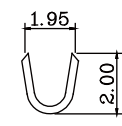




2.5mm Terminal / Housing



SEC: A-A



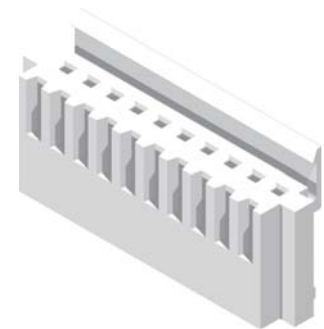
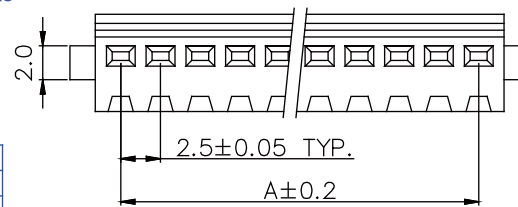
SEC: B-B

Part No.:2515-T-L

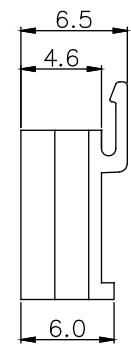
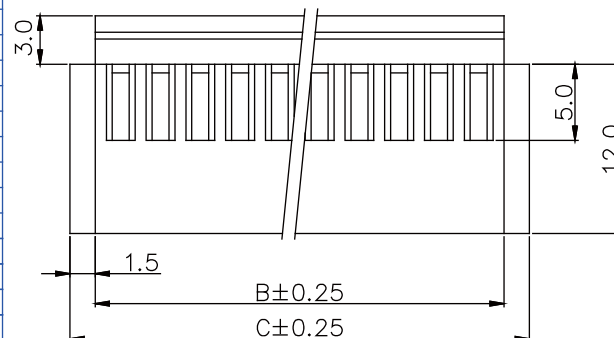
Part No.	Wire Range	Insulation O. D.	Material	Finish	THICKNESS
2515-T-L	AWG#22-#28	1.6~1.2mm(max)	Brass	Tin Plated	0.2

Specifications

Current Rating: 3A AC,DC
 Voltage Rating: 250V AC,DC
 Temperature Range: -25°C to +85°C
 Contact Resistance: 00mΩ Max
 Insulation Resistance: 500M Ω Min
 Withstanding Voltage: 1500V AC/minute
 Material: Nylon 66,UL94V-0



Part No.	Dimensions		
	A	B	C
25015H-02W-L	2.50	5.70	8.70
25015H-03W-L	5.00	8.20	11.20
25015H-04W-L	7.50	10.70	13.70
25015H-05W-L	10.00	13.20	16.20
25015H-06W-L	12.50	15.70	18.70
25015H-07W-L	15.00	18.20	21.20
25015H-08W-L	17.50	20.70	23.70
25015H-09W-L	20.00	23.20	26.20
25015H-10W-L	22.50	25.70	28.70
25015H-11W-L	25.00	28.20	31.20
25015H-12W-L	27.50	30.70	33.70
25015H-13W-L	30.00	33.20	36.20
25015H-14W-L	32.50	35.70	38.70
25015H-15W-L	35.00	38.20	41.20
25015H-16W-L	37.50	40.70	43.70
25015H-17W-L	40.00	43.20	46.20
25015H-18W-L	42.50	45.70	48.70
25015H-19W-L	45.00	48.20	51.20
25015H-20W-L	47.50	50.70	53.70



Part No.:2515H-XXW-L



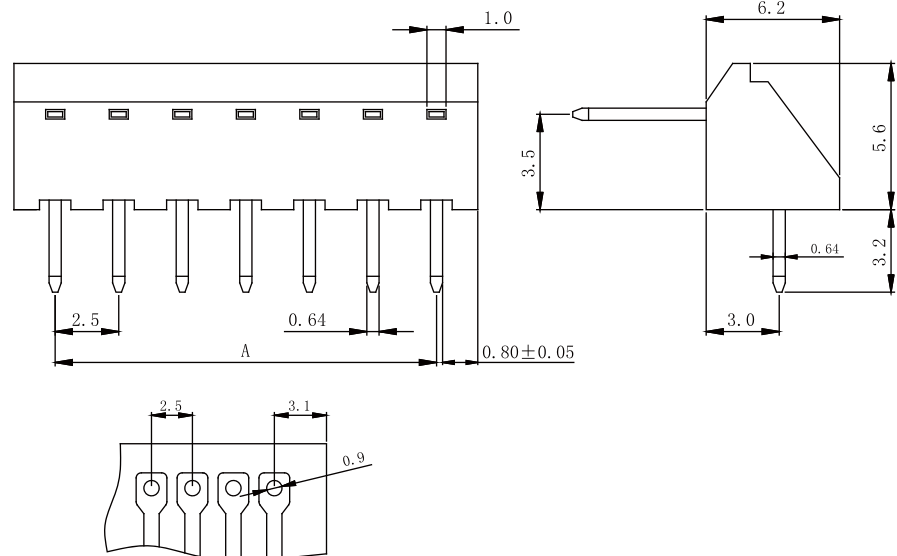
2.5mm Wafer Right Angle / Straight Type

Specifications

Current Rating: 3A AC,DC
 Voltage Rating: 250V AC,DC
 Temperature Range: -25°C to +85°C
 Contact Resistance: 20mΩ Max
 Insulation Resistance: 500M Ω Min
 Withstanding Voltage: 1500V AC/minute
 Pin Material: Brass / Tin-Plated
 Material: Nylon 66,UL94V-0
 Color: Natural(White)



Part No .	Dimensions
	A
2515R-02TW-L	2.50
2515R-03TW-L	5.00
2515R-04TW-L	7.50
2515R-05TW-L	10.00
2515R-06TW-L	12.50
2515R-07TW-L	15.00
2515R-08TW-L	17.50
2515R-09TW-L	20.00
2515R-10TW-L	22.50
2515R-11TW-L	25.00
2515R-12TW-L	27.50
2515R-13TW-L	30.00
2515R-14TW-L	32.50
2515R-15TW-L	35.00
2515R-16TW-L	37.50
2515R-17TW-L	40.00
2515R-18TW-L	42.50
2515R-19TW-L	45.00
2515R-20TW-L	47.50



P.C.B Layout

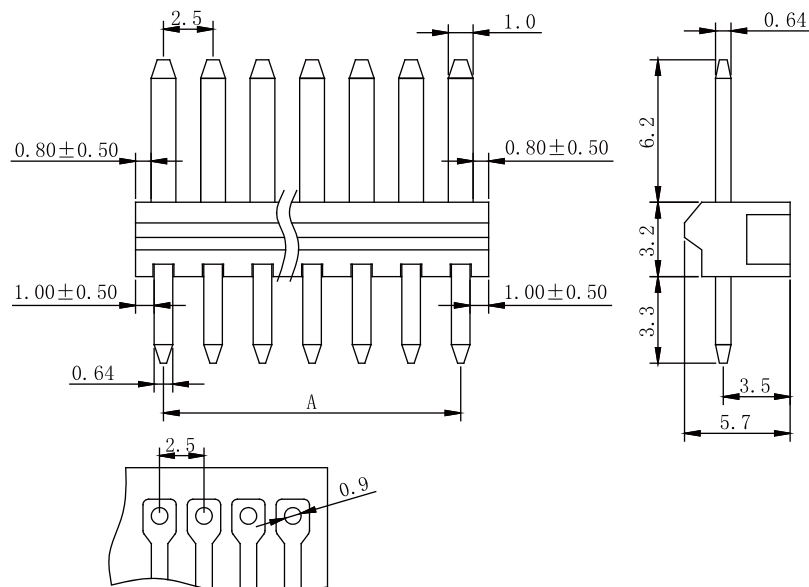
Part No.:2515R-XXTW-L

Specifications

Current Rating: 3A AC,DC
 Voltage Rating: 250V AC,DC
 Temperature Range: -25°C to +85°C
 Contact Resistance: 20mΩ Max
 Insulation Resistance: 500M Ω Min
 Withstanding Voltage: 1500V AC/minute
 Terminal: Brass / Tin-Plated
 Material: Nylon 66,UL94V-0



Part No.	Dimensions
	A
2515S-02TW-L	2.50
2515S-03TW-L	5.00
2515S-04TW-L	7.50
2515S-05TW-L	10.00
2515S-06TW-L	12.50
2515S-07TW-L	15.00
2515S-08TW-L	17.50
2515S-09TW-L	20.00
2515S-10TW-L	22.50
2515S-11TW-L	25.00
2515S-12TW-L	27.50
2515S-13TW-L	30.00
2515S-14TW-L	32.50
2515S-15TW-L	35.00
2515S-16TW-L	37.50
2515S-17TW-L	40.00
2515S-18TW-L	42.50
2515S-19TW-L	45.00
2515S-20TW-L	47.50



P.C.B Layout

Part No.:2515S-XXTW-L