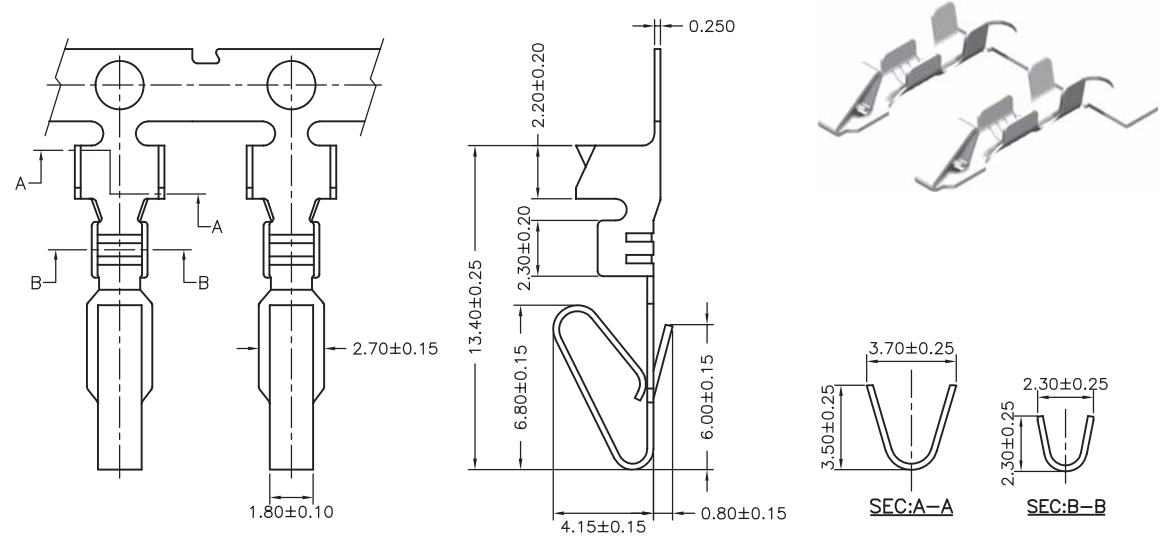




**3.96mm Terminal / Housing**

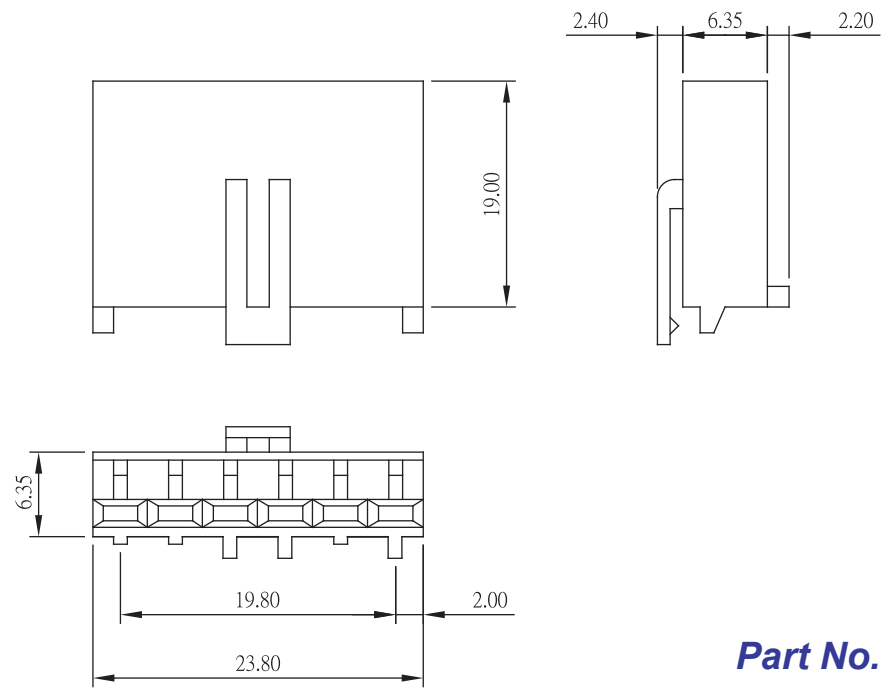
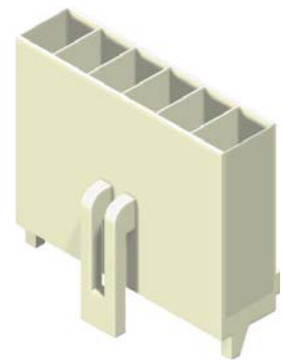


**Part No.:3961-T-L**

Part No.	Wire Range	Insulation O.D.	Material	Finish
3961-TTB-L	AWG#18-#24	2.80mm(max)	Brass	Tin Plated
3961-TGB-L	AWG#18-#24	2.80mm(max)	Brass	Gold Plated

**Specifications**

- Current Rating: 5A AC,DC
- Voltage Rating: 250V AC,DC
- Temperature Range: -25°C to +85°C
- Contact Resistance: 10mΩ Max
- Insulation Resistance: 1000MΩ Min
- Withstanding Voltage: 1500V AC/minute
- Material: Nylon 66,UL94V-2



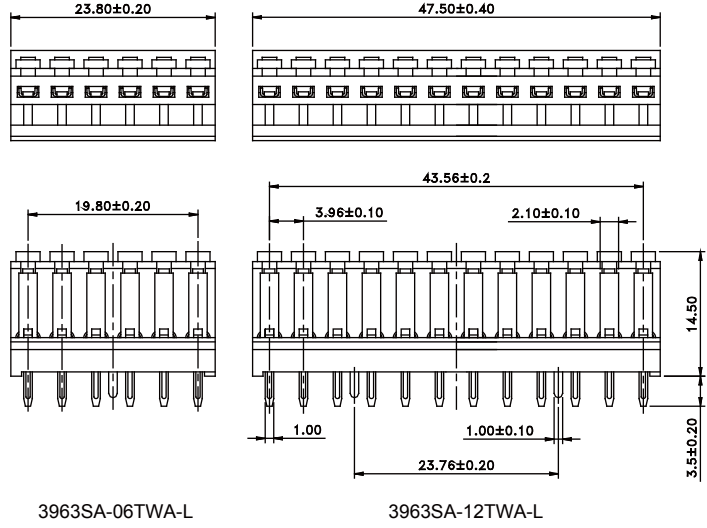
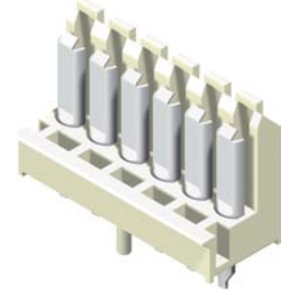
**Part No.:3963H-06W-L**



**3.96mm Wafer Straight Type**

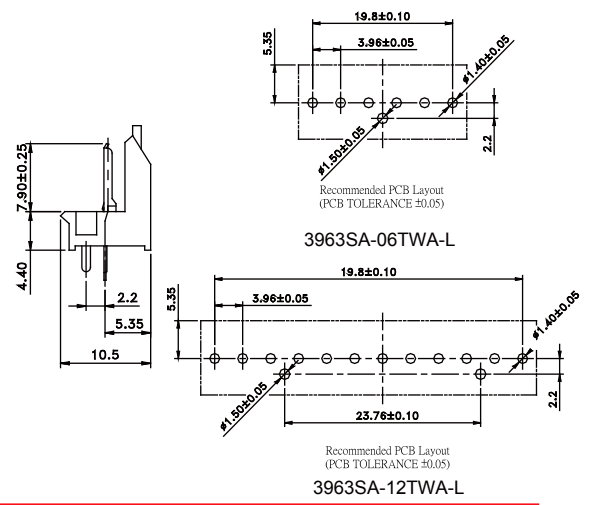
**Specifications**

Current Rating: 4A AC,DC  
 Voltage Rating: 250V AC,DC  
 Temperature Range: -40°C to +85°C  
 Contact Resistance: 10mΩ Max  
 Insulation Resistance: 500MΩ Min  
 Withstanding Voltage: 1500V AC/minute  
 Terminal: Copper Alloy / Tin Plated  
 Material: Nylon 66,UL94V-2



3963SA-06TWA-L

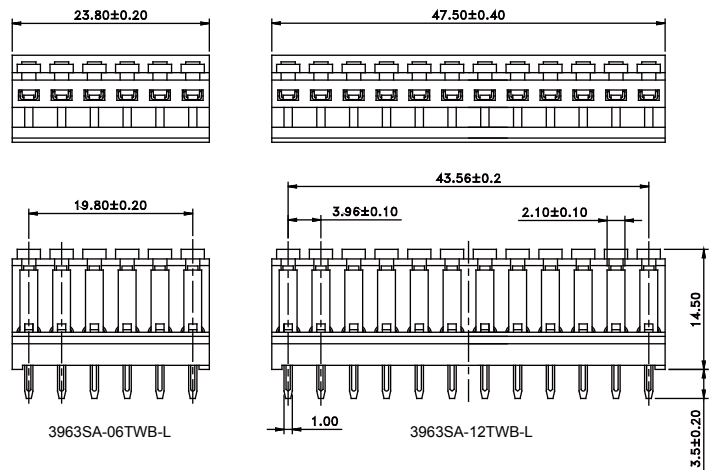
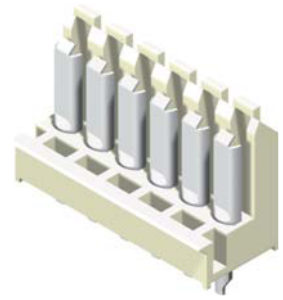
3963SA-12TWA-L



**Part No.:3963SA-XXTWA-L**

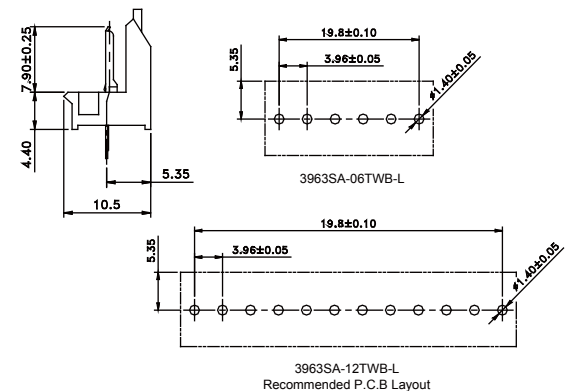
**Specifications**

Current Rating: 4A AC,DC  
 Voltage Rating: 250V AC,DC  
 Temperature Range: -40°C to +85°C  
 Contact Resistance: 10mΩ Max  
 Insulation Resistance: 1000MΩ Min  
 Withstanding Voltage: 1500V AC/minute  
 Terminal: Copper Alloy / Tin Plated  
 Material: Nylon 66,UL94V-2



3963SA-06TWB-L

3963SA-12TWB-L



3963SA-12TWB-L  
Recommended P.C.B Layout

**Part No.:3963SA-XXTWB-L**