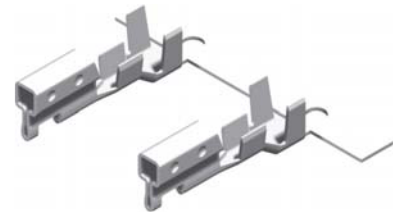
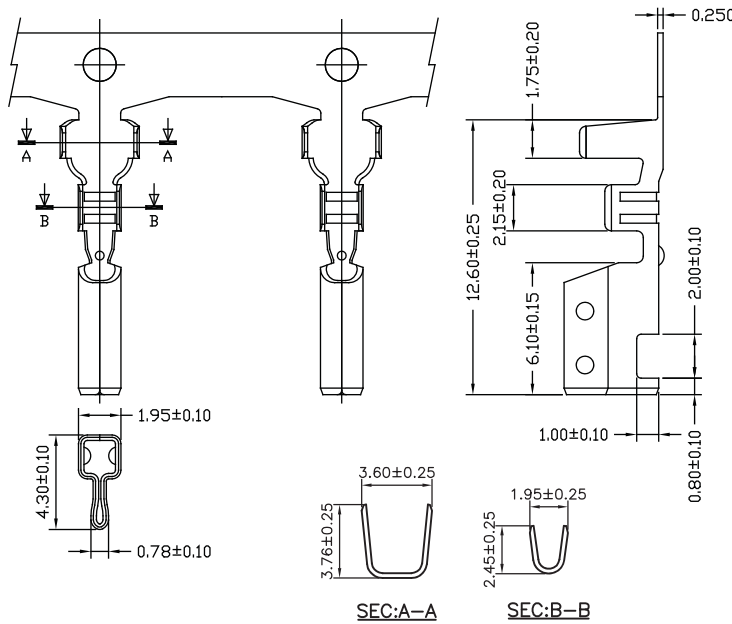




**3.96mm Terminal / Housing**



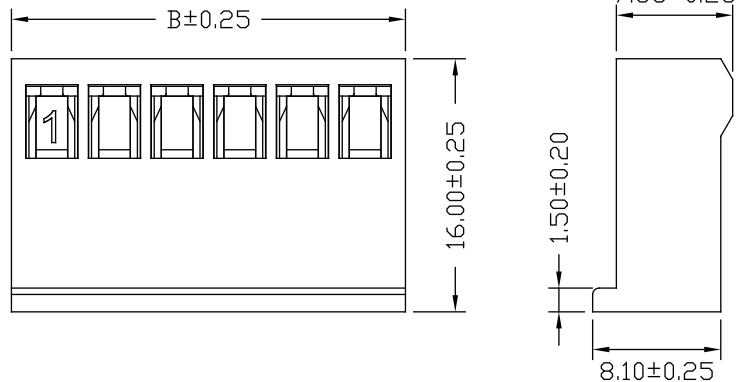
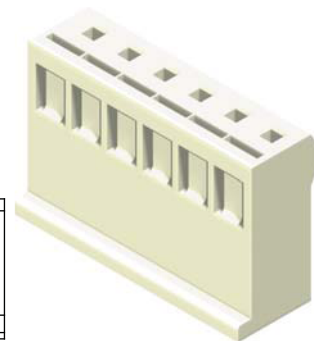
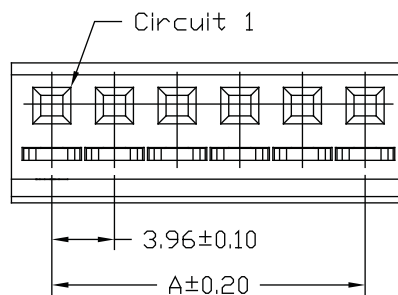
**Part No.:3966-T-L**

Wire Range	Insulation O.D.	Material	Finish
AWG#18-#24	3.20mm(max)	Brass	Tin Plated

**Specifications**

Current Rating: 7A AC,DC  
 Voltage Rating: 250V AC,DC  
 Temperature Range: -25°C to +85°C  
 Contact Resistance: 10mΩ Max  
 Insulation Resistance: 1000MΩ Min  
 Withstanding Voltage: 1500V AC/minute  
 Material: Nylon 66,UL94V-2

Part No.	Dimensions	
	A	B
3966H-02W-L	3.96	9.06
3966H-03W-L	7.92	13.02
3966H-04W-L	11.88	16.98
3966H-05W-L	15.84	20.94
3966H-06W-L	19.80	24.90
3966H-07W-L	23.76	28.86
3966H-08W-L	27.72	32.82
3966H-09W-L	31.68	36.78
3966H-10W-L	35.64	40.74
3966H-11W-L	39.60	44.70
3966H-12W-L	43.56	48.66



**Part No.:3966H-XXW-L**