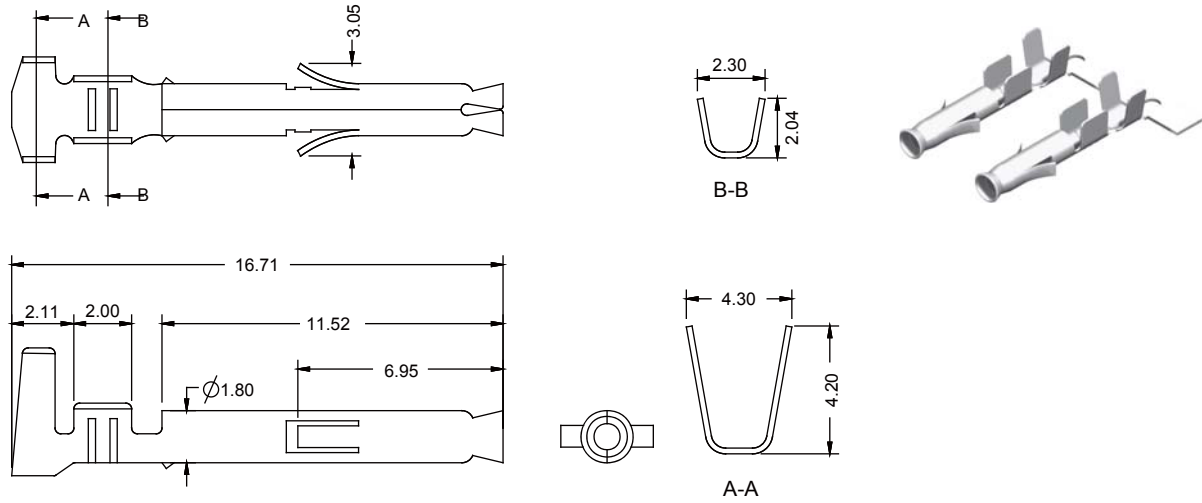




**4.14mm Female Terminal / Male Housing**



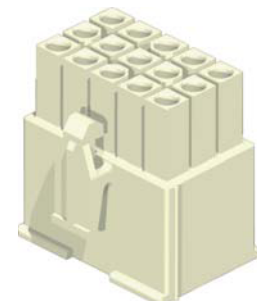
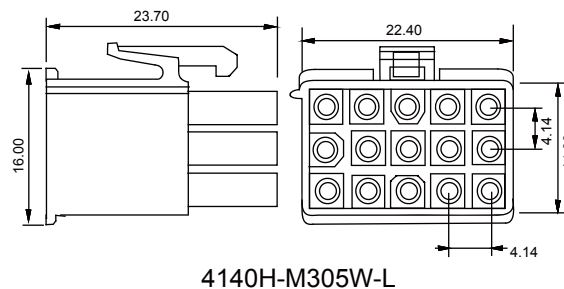
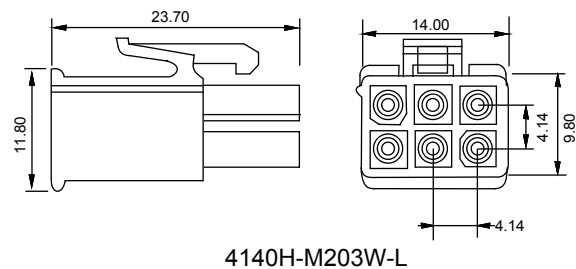
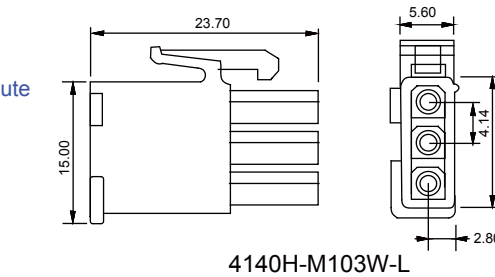
**Part No.:4140-FT-A-L**

Wire Range	Insulation O.D.	Material	Finish
AWG#18-#22	3.0mm(max)	Brass	Tin-Plated

**Specifications**

Current Rating: 4A AC,DC  
 Voltage Rating: 250V AC,DC  
 Temperature Range: -25°C to +85°C  
 Contact Resistance: 7mΩ Max  
 Insulation Resistance: 1000MΩ Min  
 Withstanding Voltage: 1500V AC/minute  
 Material: Nylon 66,UL94V-0

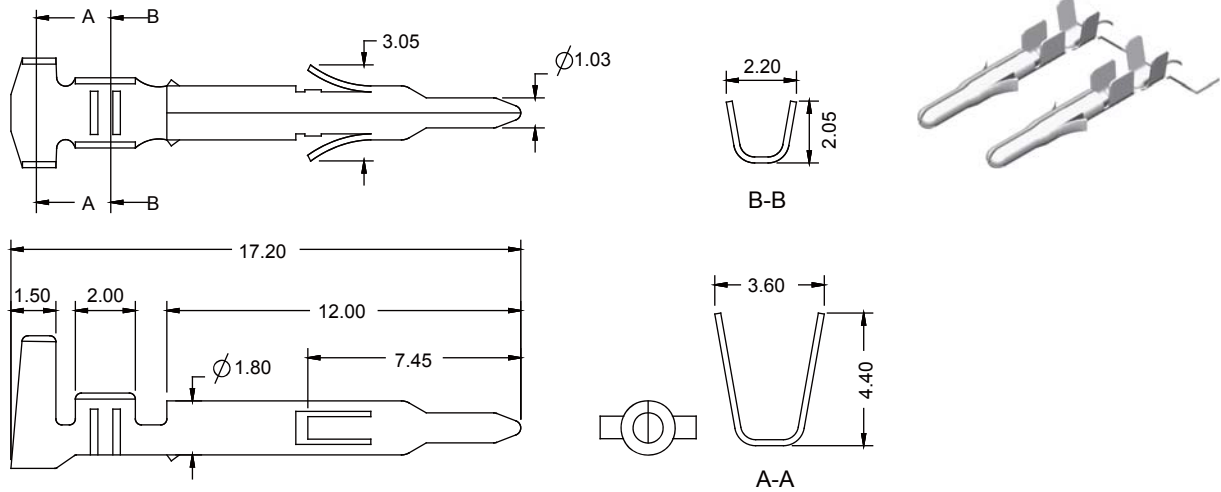
Part No.	No. of Contacts
4140H-M101W-L	1x1
4140H-M102W-L	1x2
4140H-M103W-L	1x3
4141H-M202W-L	2x2
4141H-M203W-L	2x3
4140H-M303W-L	3x3
4140H-M304W-L	3x4
4140H-M305W-L	3x5



**Part No.:4140H-MXXXW-L**



**4.14mm Male Terminal / Female Housing**



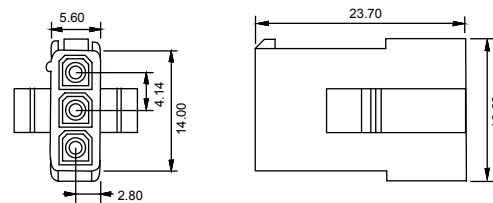
**Part No.:4140-MT-L**

Wire Range	Insulation O.D.	Material	Finish
AWG#18-#22	3.0mm(max)	Brass	Tin-Plated

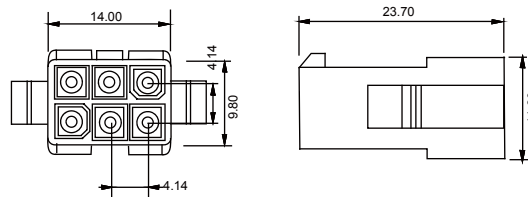
**Specifications**

Current Rating: 4A AC,DC  
 Voltage Rating: 250V AC,DC  
 Temperature Range: -25°C to +85°C  
 Contact Resistance: 7mΩ Max  
 Insulation Resistance: 1000MΩ Min  
 Withstanding Voltage: 1500V AC/minute  
 Material: Nylon 66,UL94V-0

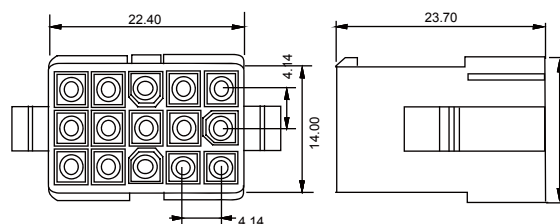
Part No.	No. of Contacts
4140H-F101W-L	1x1
4140H-F102W-L	1x2
4140H-F103W-L	1x3
4141H-F202W-L	2x2
4141H-F203W-L	2x3
4140H-F303W-L	3x3
4140H-F304W-L	3x4
4140H-F305W-L	3x5



**4140H-F103W1-L**



**4140H-F203W1-L**



**4140H-F305W1-L**



**Part No.:4140H-FXXXW□-L**

1:With Ear  
 2:W/O Ear