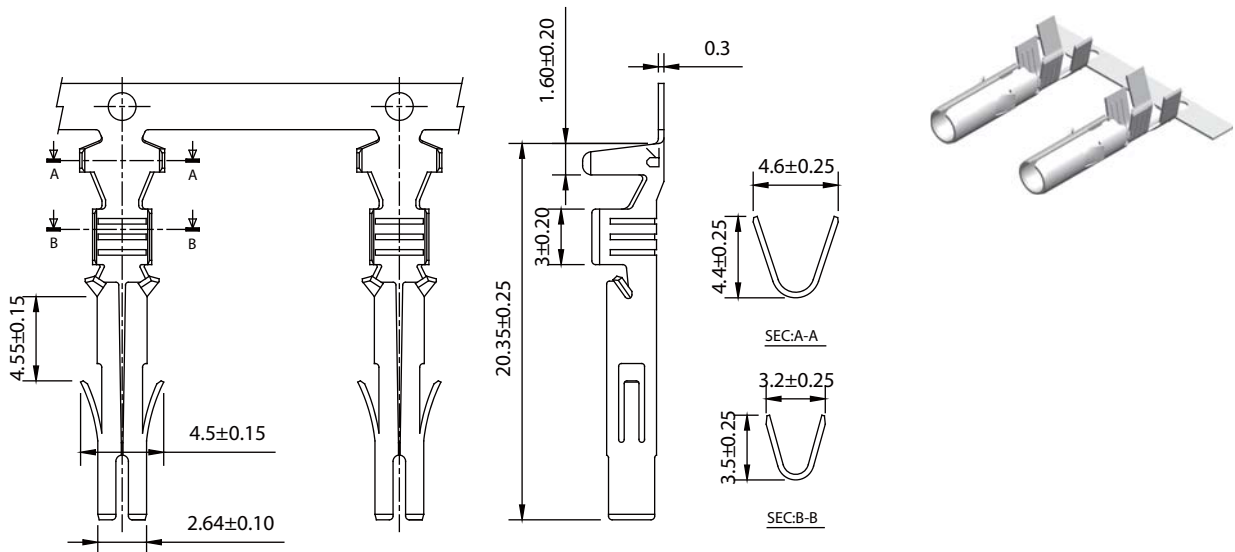




6.35mm Terminal / Housing

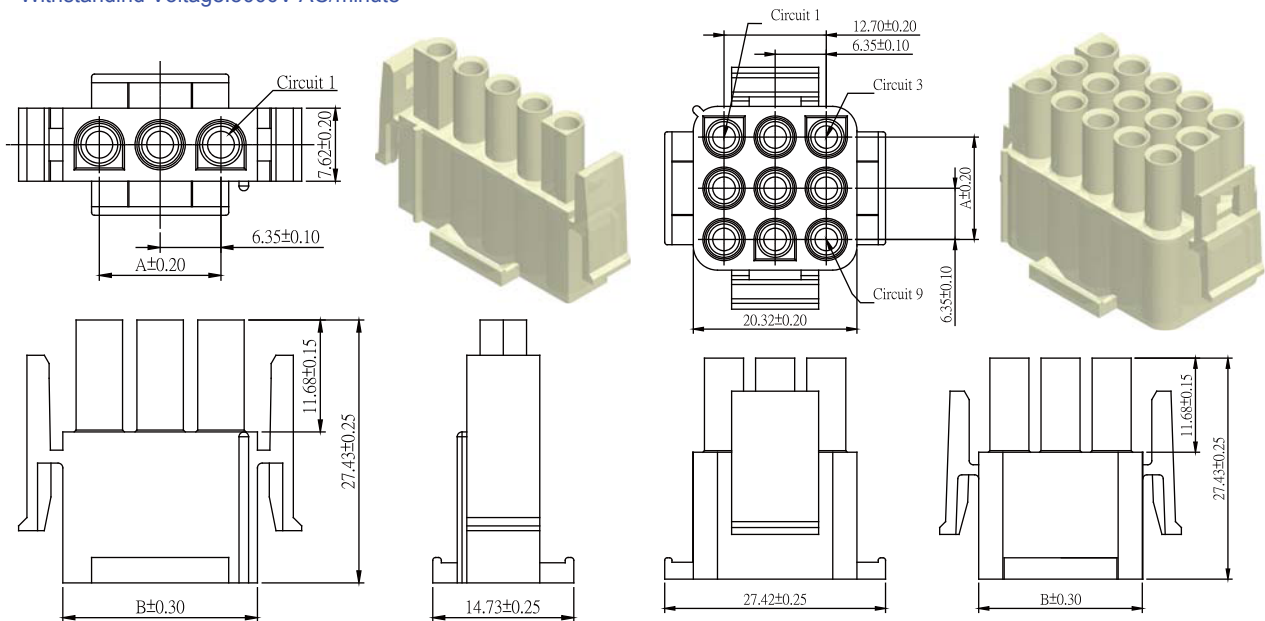


Part No.:6350-FT-L

| Wire Range | Insulation O.D. | Material | Finish |
|------------|-----------------|----------|------------|
| AWG#14-#20 | 3.30mm(max) | Brass | Tin-plated |

Specifications

Current Rating: 15A AC,DC
 Voltage Rating: 600V AC,DC
 Temperature Range: -25°C to +85°C
 Contacts Resistance:3.5mΩ Max.
 Insulation Resistance:1000MΩ Min.
 Withstanding Voltage:5000V AC/minute



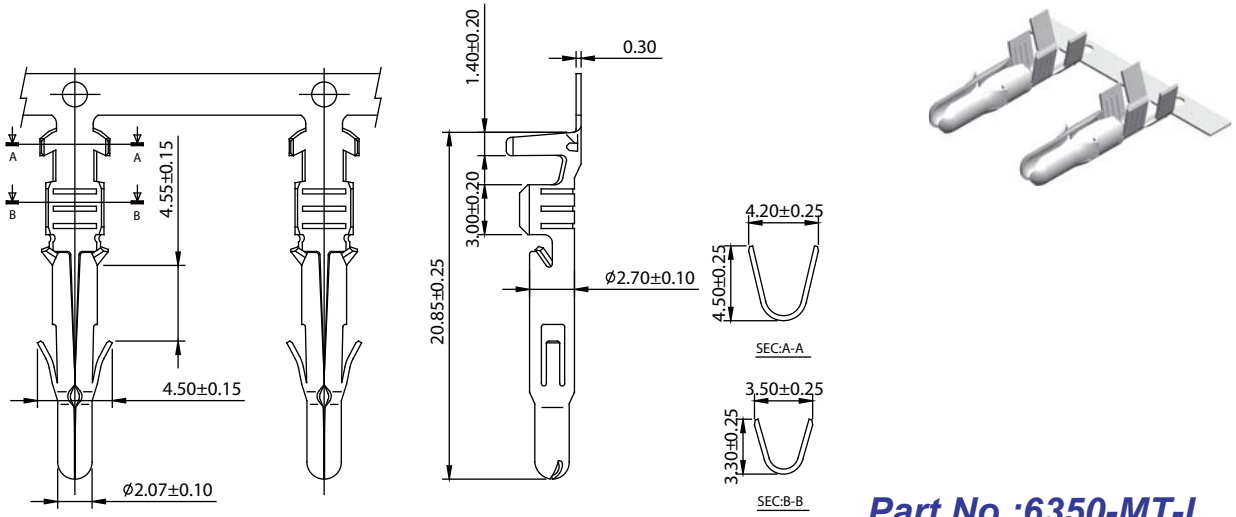
| Part No. | Dimensions | |
|---------------|------------|-------|
| | A | B |
| 6350H-M102W-L | 6.35 | 13.97 |
| 6350H-M103W-L | 12.70 | 20.32 |
| 6350H-M104W-L | 19.05 | 26.67 |
| 6350H-M105W-L | 25.40 | 33.02 |
| 6350H-M106W-L | 31.75 | 39.37 |
| 6350H-M108W-L | 44.45 | 52.07 |

| Part No. | Dimensions | |
|---------------|------------|-------|
| | A | B |
| 6350H-M302W-L | 6.35 | 13.97 |
| 6350H-M303W-L | 12.70 | 20.32 |
| 6350H-M304W-L | 19.05 | 26.67 |
| 6350H-M305W-L | 25.40 | 33.02 |

Part No.:6350H-MXXXTW-L



6.35mm Terminal / Housing

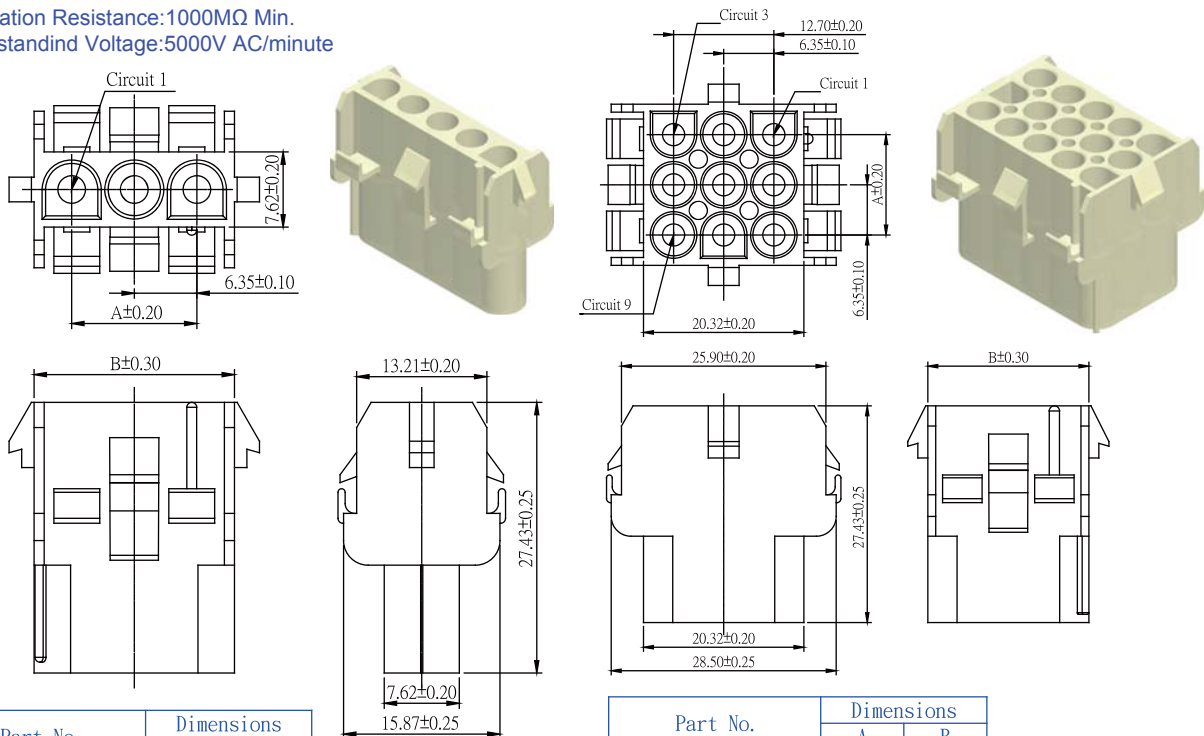


Part No.:6350-MT-L

| Wire Range | Insulation O.D. | Material | Finish |
|------------|-----------------|----------|------------|
| AWG#14-#20 | 3.30mm(max) | Brass | Tin-plated |

Specifications

Current Rating: 15A AC,DC
 Voltage Rating: 600V AC,DC
 Temperature Range: -25°C to +85°C
 Contacts Resistance:3.5mΩ Max.
 Insulation Resistance:1000MΩ Min.
 Withstandind Voltage:5000V AC/minute



| Part No. | Dimensions | |
|---------------|------------|-------|
| | A | B |
| 6350H-F102W-L | 6.35 | 13.97 |
| 6350H-F103W-L | 12.70 | 20.32 |
| 6350H-F104W-L | 19.05 | 26.67 |
| 6350H-F105W-L | 25.40 | 33.02 |
| 6350H-F106W-L | 31.75 | 39.37 |
| 6350H-F108W-L | 44.45 | 52.07 |

| Part No. | Dimensions | |
|---------------|------------|-------|
| | A | B |
| 6350H-F302W-L | 6.35 | 14.05 |
| 6350H-F303W-L | 12.70 | 20.40 |
| 6350H-F304W-L | 19.05 | 26.75 |
| 6350H-F305W-L | 25.40 | 33.10 |

Part No.:6350H-FXXXTW-L

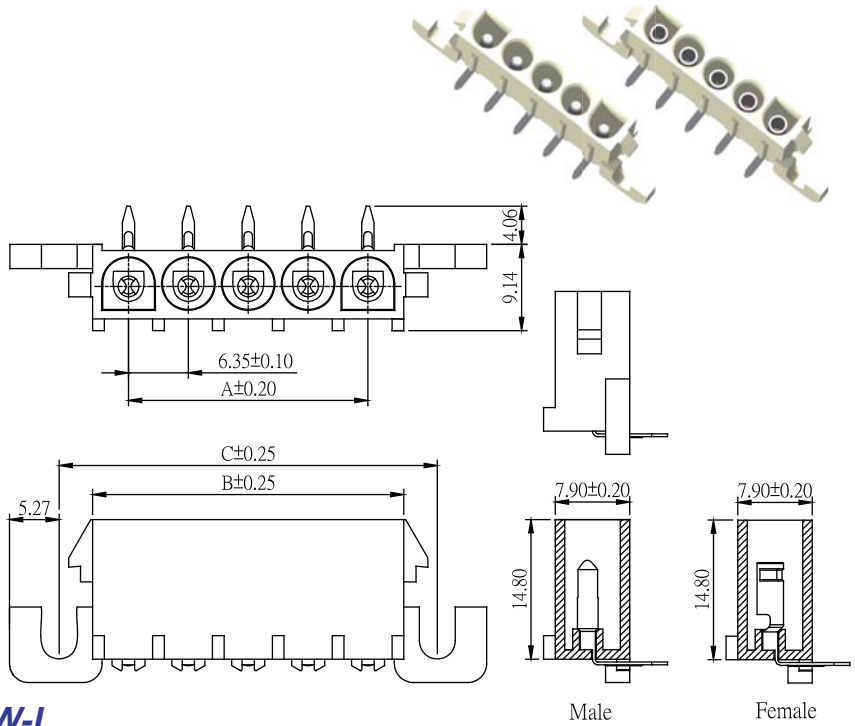
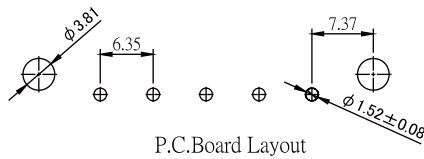


6.35mm Wafer Right Angle / Straight

Specifications

Current Rating: 15A AC,DC
 Voltage Rating: 600V AC,DC
 Temperature Range: -25°C to +85°C
 Contacts Resistance:3.5mΩ Max.
 Insulation Resistance:1000MΩ Min.
 Withstandind Voltage:5000V AC/minute

| Part No. | Dimensions | | |
|----------------|------------|-------|-------|
| | A | B | C |
| 6350R-X102TW-L | 6.35 | 13.97 | 21.08 |
| 6350R-X104TW-L | 19.05 | 26.67 | 33.78 |
| 6350R-X106TW-L | 31.75 | 39.37 | 46.48 |
| 6350R-X108TW-L | 44.45 | 52.07 | 59.18 |
| 6350R-X110TW-L | 57.15 | 64.77 | 71.88 |

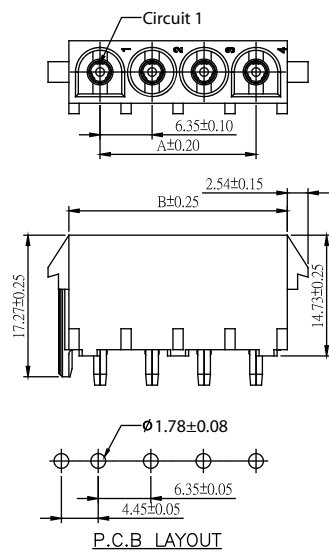


Part No.:6350R-□1XXTW-L

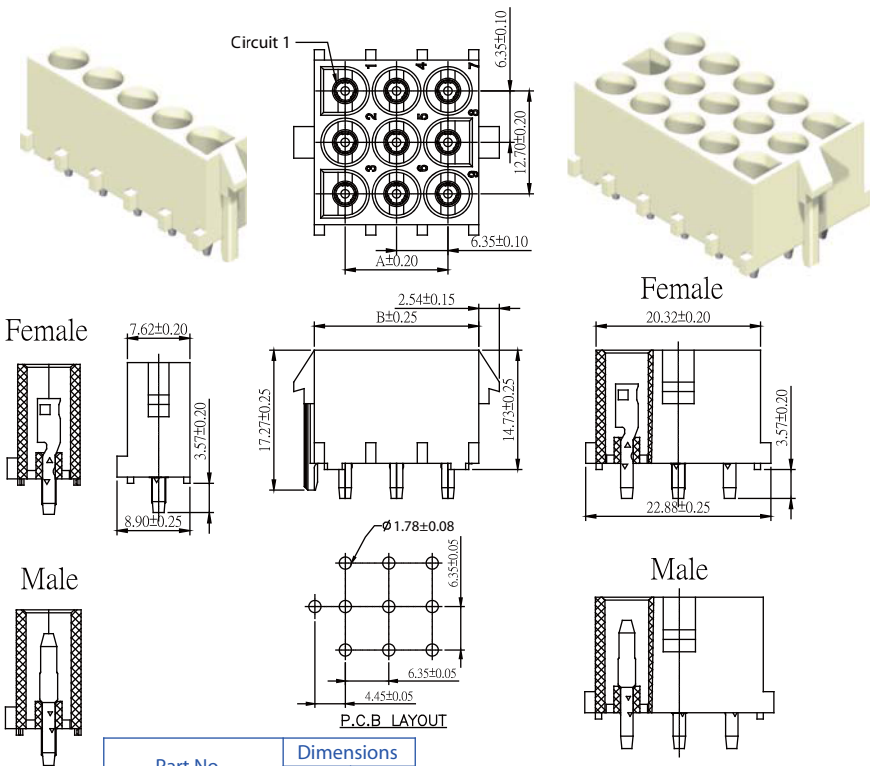
M:Male
F:Female

Specifications

Current Rating: 15A AC,DC
 Voltage Rating: 600V AC,DC
 Temperature Range: -25°C to +85°C
 Contacts Resistance:3.5mΩ Max.
 Insulation Resistance:1000MΩ Min.
 Withstandind Voltage:5000V AC/minute



| Part No. | Dimensions | |
|-----------------|------------|-------|
| | A | B |
| 6350S-X102TW1-L | 6.35 | 13.97 |
| 6350S-X103TW1-L | 12.70 | 20.32 |
| 6350S-X104TW1-L | 19.05 | 26.67 |
| 6350S-X105TW1-L | 25.40 | 33.02 |
| 6350S-X106TW1-L | 31.75 | 39.37 |
| 6350S-X108TW1-L | 44.45 | 52.07 |



| Part No. | Dimensions | |
|-----------------|------------|-------|
| | A | B |
| 6350S-X302TW1-L | 6.35 | 13.97 |
| 6350S-X303TW1-L | 12.70 | 20.32 |
| 6350S-X304TW1-L | 19.05 | 26.67 |
| 6350S-X305TW1-L | 25.40 | 33.02 |

Part No.:6350S-□□XXTW□-L

M:Male
F:Female

1:1 Row
3:3 Row

1:With Peg
2:W/O Peg